

Material Lifts

Load Lifter™

Specifications

Model	Load Lifter	
Measurements	US	Metric
A Height - stowed	3 ft 9 in	1.14 m
Height - platform maximum	5 ft 7 in	1.70 m
B Length - stowed	1 ft 3 in	.38 m
Length - operating	2 ft 8 in	.81 m
C Width - stowed	1 ft 8.5 in	.52 m

Productivity

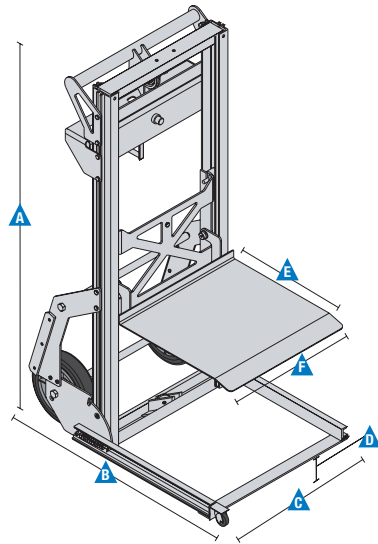
Load capacity	200 lbs	91 kg
D Load height minimum	2 in	.05 m
Ground clearance - center	.75 in	.02 m
E Load platform length	1 ft 2 in	.36 m
F Load platform width	1 ft 4.75 in	.43 m

Power

Average cranks - per length unit		
Standard winch - carriage moving	4.8/ft	15.6/m
Standard winch - mast moving	2.0/ft	5.6/m

Weight*

	58 lbs	26 kg
--	--------	-------



* Weight will vary depending on options and/or country standards.