

### Specifications

Models	Z-45/25 RT		Z-45/25J RT	
Measurements	Metric	US	Metric	US
Working height maximum*	15.97 m	51 ft 10 in	15.86 m	51 ft 6 in
Platform height maximum	13.97 m	45 ft 10 in	13.86 m	45 ft 6 in
Horizontal reach maximum	7.49 m	24 ft 7 in	7.52 m	24 ft 8 in
Up and over clearance maximum	7.14 m	23 ft 5 in	7.14 m	23 ft 5 in
<b>A</b> Platform length	0.76 m	2 ft 6 in	0.76 m	2 ft 6 in
<b>B</b> Platform width	1.83 m	6 ft	1.83 m	6 ft
<b>C</b> Height - stowed	2.13 m	7 ft	2.13 m	7 ft
<b>D</b> Length - stowed	5.38 m	17 ft 8 in	6.65 m	21 ft 10 in
<b>E</b> Width	2.29 m	7 ft 6 in	2.29 m	7 ft 6 in
<b>F</b> Wheelbase	2.03 m	6 ft 8 in	2.03 m	6 ft 8 in
<b>G</b> Ground clearance - center	0.37 m	1 ft 3 in	0.37 m	1 ft 3 in

### Productivity

Lift capacity	227 kg	500 lbs	227 kg	500 lbs
Platform rotation	180°	180°	160°	160°
Vertical Jib rotation	—	—	135°	135°
Turntable rotation	355° non-continuous		355° non-continuous	
Turntable tailswing	zero	zero	zero	zero
Drive speed - stowed	7.24 km/h	4.5 mph	7.24 km/h	4.5 mph
Drive speed - raised **	1.00 km/h	0.61 mph	1.00 km/h	0.61 mph
Gradeability - 4WD - stowed***	45%	45%	45%	45%
Turning radius - inside	1.68 m	5 ft 6 in	1.68 m	5 ft 6 in
Turning radius - outside	4.50 m	14 ft 9 in	4.50 m	14 ft 9 in
Controls	12 V DC proportional		12 V DC proportional	
Tyres	355/55 D20		355/55 D20	

### Power

Power source	Deutz diesel D2011L03i 3 cylinder diesel 35.8 kW (48 hp)			
Auxiliary power unit	12 V DC		12 V DC	
Hydraulic tank capacity	83 L	22 gal	83 L	22 gal
Fuel tank capacity	64.4 L	17 gal	64.4 L	17 gal

### Sound & Vibration Levels

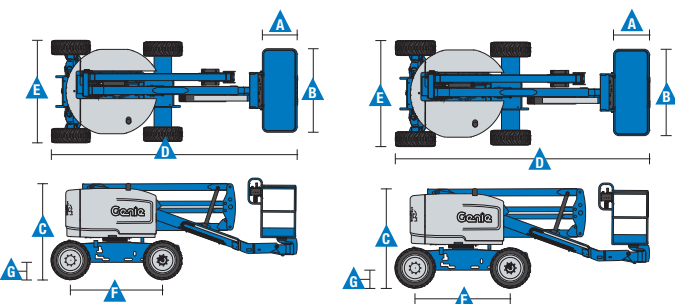
Sound pressure level (ground workstation)	87 dBA	87 dBA	87 dBA	87 dBA
Sound pressure level (platform workstation)	82 dBA	82 dBA	82 dBA	82 dBA
Vibration	<2.5 m/s <sup>2</sup>	<8 ft 2 in/s <sup>2</sup>	<2.5 m/s <sup>2</sup>	<8 ft 2 in/s <sup>2</sup>

### Weight\*\*\*\*

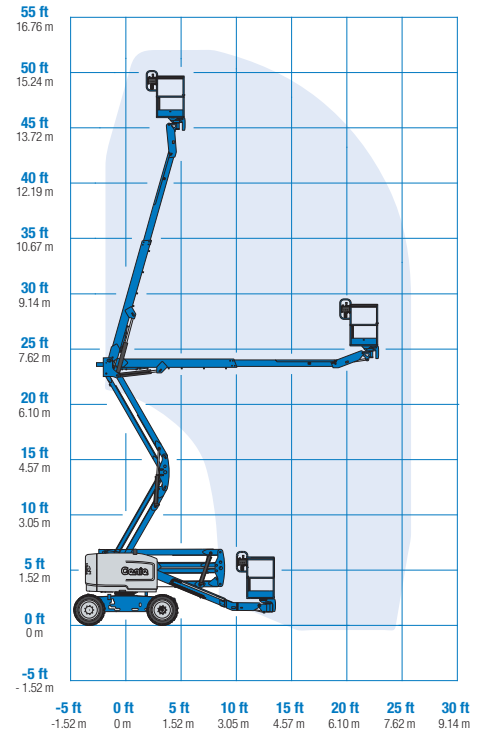
CE 4WD (foam filled tyres)	6,415 kg	14,144 lbs	6,460 kg	14,244 lbs
----------------------------	----------	------------	----------	------------

### Standards Compliance

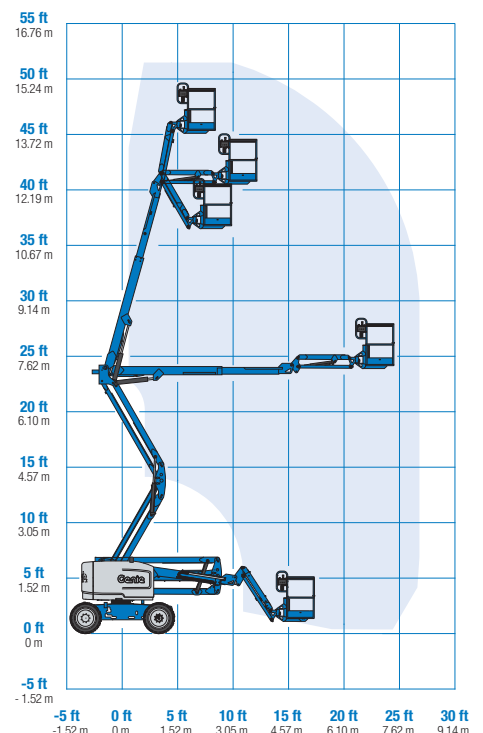
EU Directives: 2006/42/EC - Machinery Directive  
Harmonized Standards: EN280; 2004/108/EC (EMC);  
2000/14/EC (Outdoor Noise)



### Range Of Motion Z-45/25 RT



### Range Of Motion Z-45/25J RT



\* The metric equivalent of working height adds 2 m to platform height. U.S. adds 6 ft to platform height.  
\*\* In lift mode (platform raised), the machine is designed to operate on firm, level surfaces only.  
\*\*\* Gradeability applies to driving on slopes. See operator's manual for details regarding slope ratings.  
\*\*\*\* Weight will vary depending on options and/or country standards.